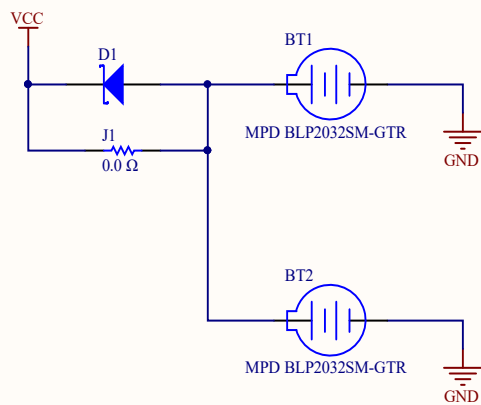
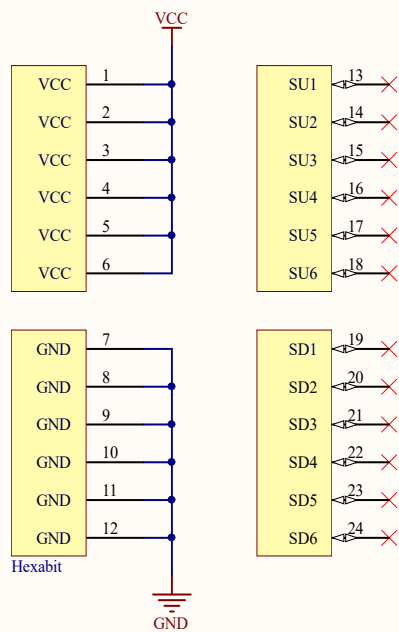



VCC = +3.0 V



Title H13R00			Module: <i>H13R00.PrjPcb</i>
Size: Letter	Author: Asaad	Revision: 0	Description: <i>2 x CR2032 in parallel</i>
Date: 5/3/2017	Time: 11:26:59 PM	Sheet 1 of 1	
File: H13R0.SchDoc			 www.hexabitz.com